

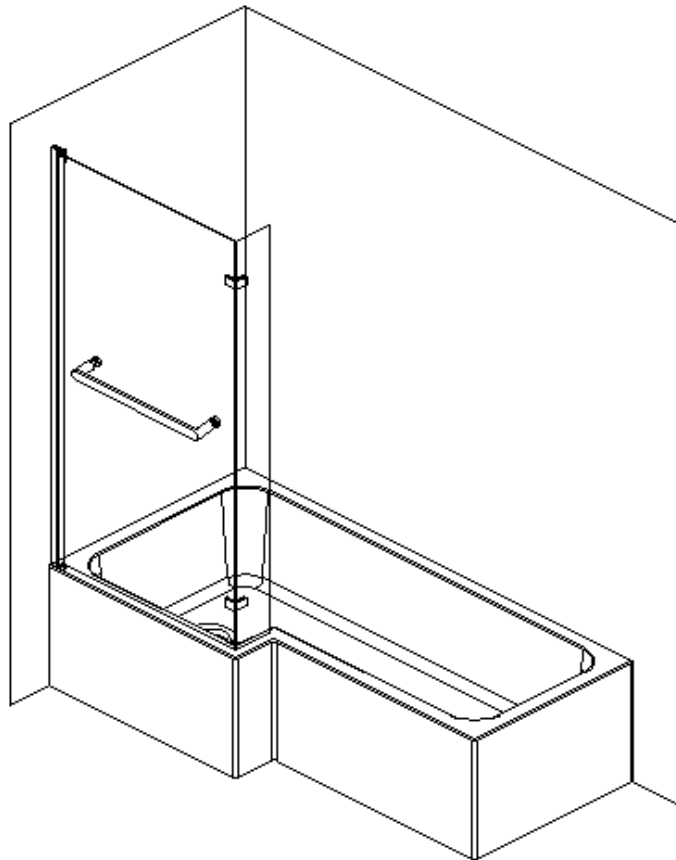
USER MANUAL



Thank you for choosing Better Bathrooms.
Please read this manual before installing your product
and keep for future reference.

better 
bathrooms

Maia L Shape 6mm Matt Black Bath Screen with Towel Rail BeBa_28046



- **Multi-person assembly**
- **Tools required**
- **We always recommend using professional tradespeople to install your product**

2021.8.23

Congratulations on your purchase

And welcome to our growing gang of savvy shoppers

We're on a mission to bring you extraordinary bathroom products, for less. From modern to traditional style ceramics, plus the gorgeous fixtures, fittings and furniture to match. So, you can fall in love with your space every single day.

As one of the UK's largest independent bathroom stores, we've received countless awards; including the National Business Awards UK, the Digital Entrepreneur Awards and being placed on The Sunday Times Fast Track 100.

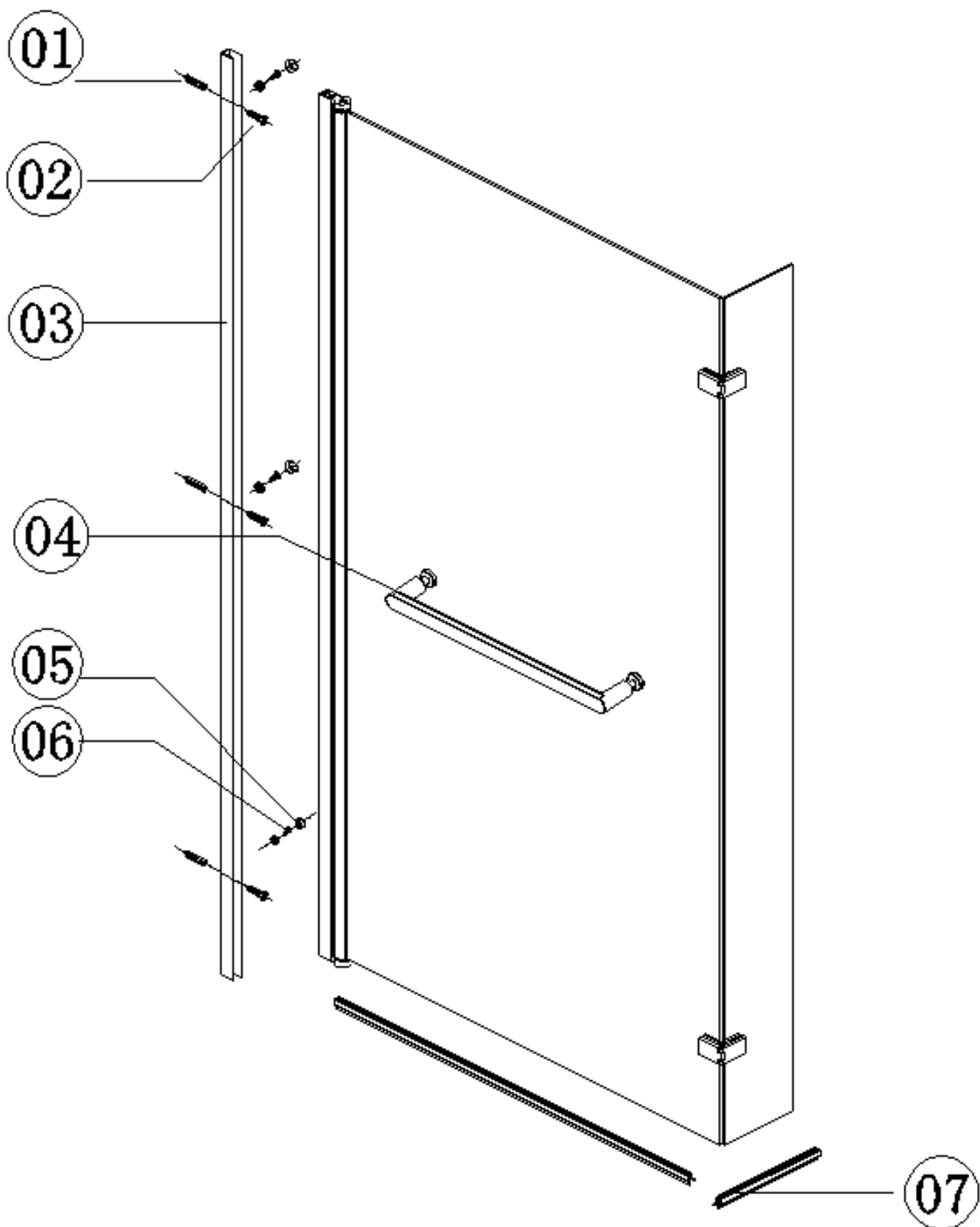
We hope your new product goes above and beyond your expectations. However, should any problems occur, please:





- log in to your account and contact our customer services team via your self-serve portal –betterbathrooms.com/Account/Login
- contact us via betterbathrooms.com/contact-us

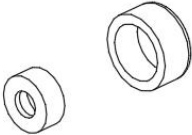

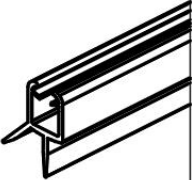

Important information

- Please read these instructions thoroughly and retain for future reference
- Manufactured to BS EN 14428
- Please check for pipes and cables before drilling
- Please check for damage prior to installation

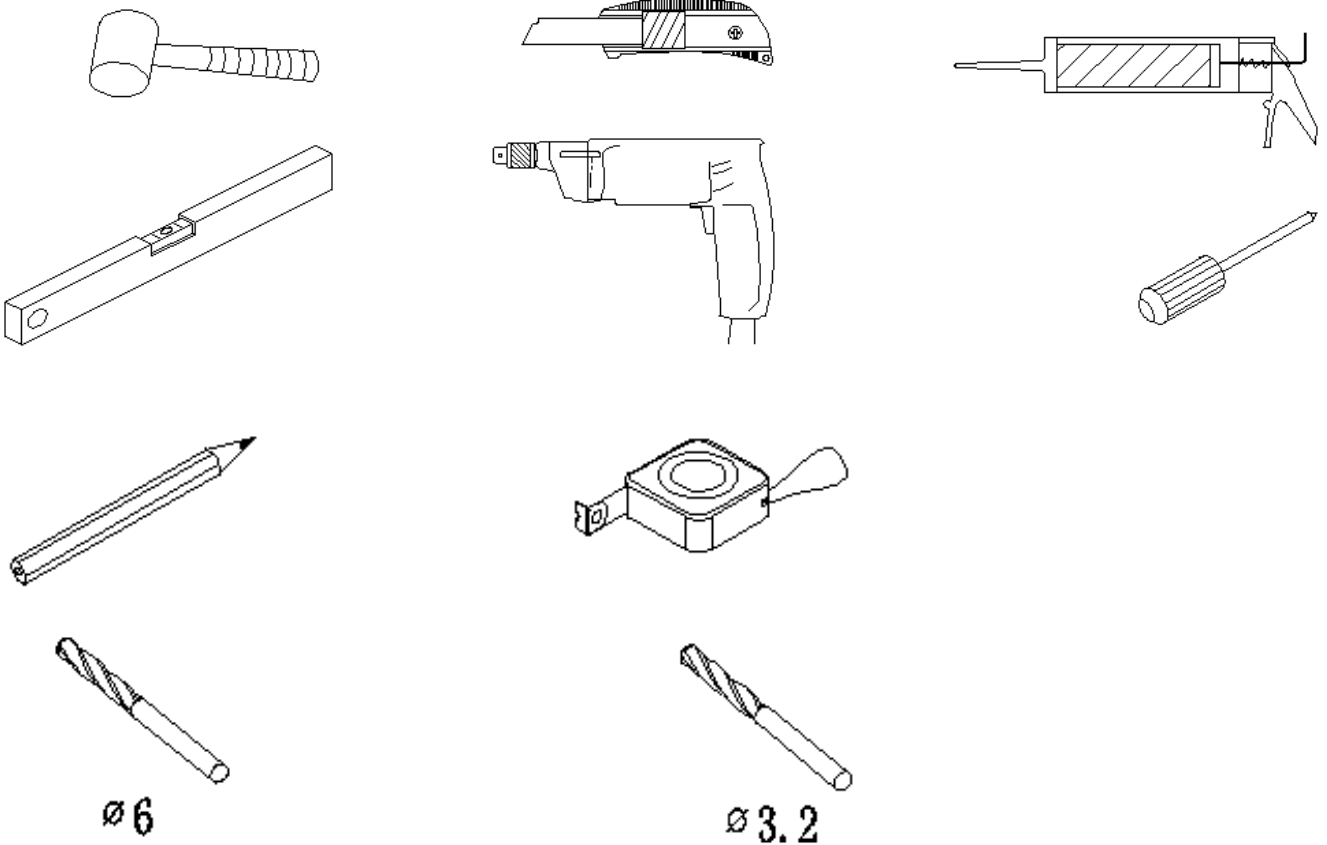
Parts / Diagrams



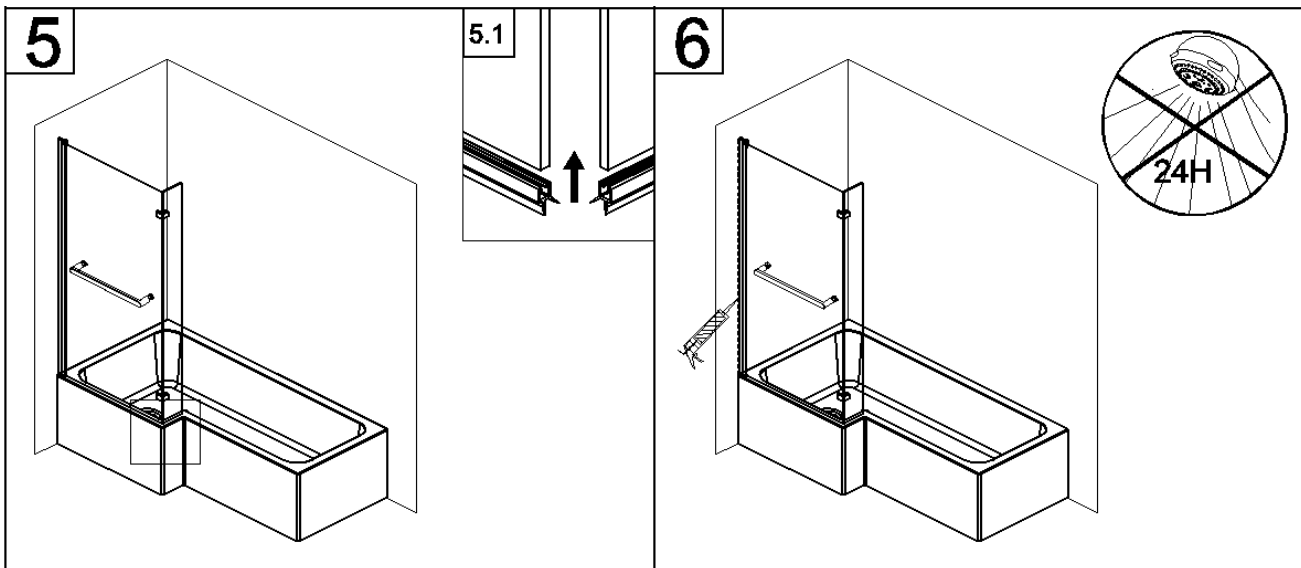
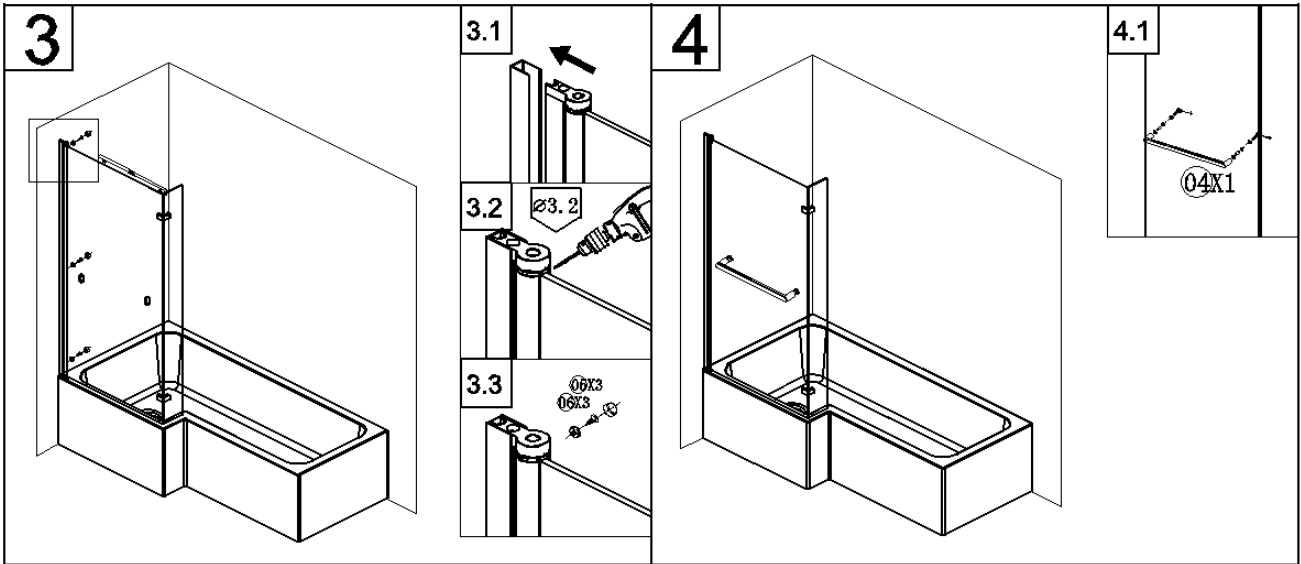
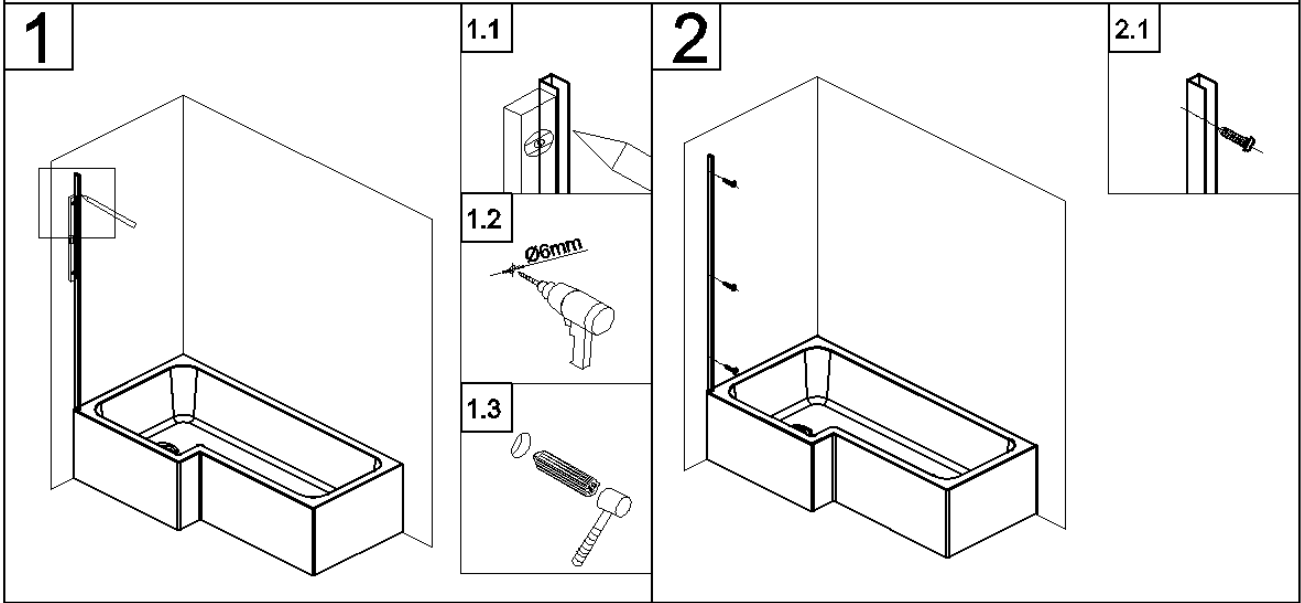
| | | | |
|---|--|---|---|
| <p>01</p>  <p>3PCS</p> | <p>02</p>  <p>ST4*30 3PCS</p> | <p>03</p>  <p>CRA-09W06 1PCS</p> | <p>04</p>  <p>CRA-09X07 1PCS</p> |
|---|--|---|---|

| | | | |
|---|--|--|---|
| <p>05</p>  <p>CRA-09Y07 3PCS</p> | <p>06</p>  <p>ST4*12 3PCS</p> | <p>07</p>  <p>CRA-09Z09 2PCS</p> |  <p>4MM 1PCS</p> |
|---|--|--|---|

Tools required (Tools not provided)



Installation



Cleaning

All parts of the product shall be cleaned with a cloth soaked in neutral detergent soapy water, Please do not use sharp tools such as blades to clean the shower door.

Please do not use strong detergent, alcohol or any abrasive cleaning substances to clean the shower door if the stain is serious, a low concentration of vinegar can be used, but must be rinsed with clean water afterwards.

For more information

- visit betterbathrooms.com
- email customerservices@buyitdirect.co.uk
- call 0330 390 3062
- write to Trident Business Park, Neptune Way, Huddersfield, HD2 1UA

better 
bathrooms

Part of the BuyItDirect Group